

INSTRUCTIONS FOR USE

IFU CODE : 24

iB-ER
PROSTHETIC



Knee Joints for Children

E 80, E 81

CE

Fig 1. E 80

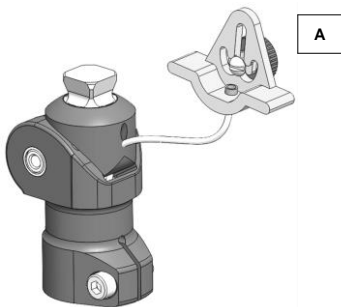


Fig 2. E 80

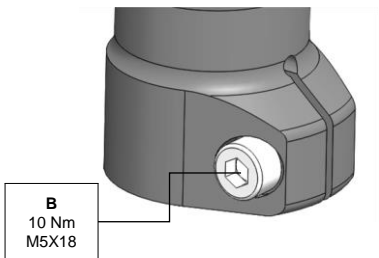


Fig 3. E 81

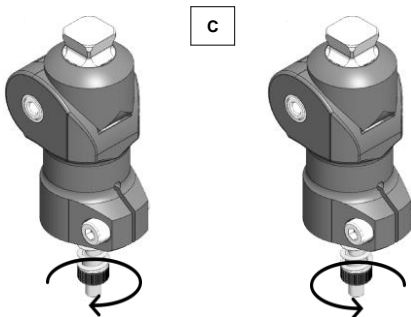
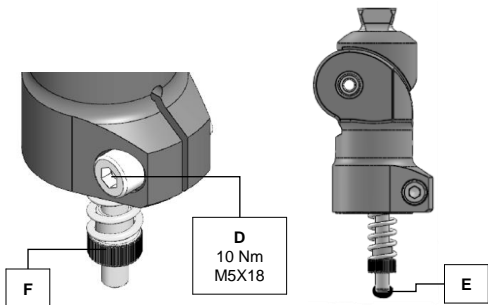


Fig 4. E 81



INFORMATION

Last Update: 01-02-2023



- Please read this document carefully before using the product.
- Instruct the user in the appropriate and safe use of the product.
- Follow the safety instructions to abstain injuries and damage to the product.
- Please keep this document in a safe place.

Contents

1 E 80.....	1
2 E 81.....	2
3 Assembly	3
4 Environmental Conditions.....	4
5 Service Life	4
6 General Safety Instructions	4
7 Maintenance	5
8 Warranty	6

1 E 80

Single Axis Knee Joint with Lock

Monocentric Knee Joint for
Child with Lock

Totally Aluminum Body

145° Flexion Angle

Distal Connection: Dia.22mm
Tube



Code	Material	Weight	Weight Limit
E 80	Aluminum	150 gr	45 Kg

1.1 Using the Lock Cord

E80 Knee Joint can be unlocked by pulling cord and locked when load is applied.

CAUTION!



Incorrect and malfunction use of the lock

Unexpected deactivation of the lock can cause falls

The user should be advised to fully extend the knee joint to activate the lock before starting the walking activity. User should carefully check if the lock is actually engaged. If needed, apply pressure on the knee joint if the users body movement is not able to provide enough moment to activate locking. Disable the lock only when you can control the flexion.

2 E 81

Single Axis Knee Joint with Adjustable Extension Assist Mechanism

Monocentric Knee Joint for Child with Adjustable

Extension Mechanism

Totally Aluminum Body

145° Flexion Angle

Distal Connection: Dia.22mm Tube



Code	Material	Weight	Weight Limit
E 81	Aluminum	170 gr	45 Kg

2.1 Adjustment

You can adjust the extension ability of the knee joint by tightening the Adjustment Nut (F). With the help of this nut, you can increase or decrease the tension of the spring. Thus, the extension property can be set. (See fig. 3)

Adjustment Nut has been secured with the glue at the end of the screw, to prevent it going out! While adjusting, do not take out the nut further than the glue. (See E in fig. 4)

3 Assembly

Screws should be tightened properly as shown in (B and D). Tighten screws (B, D) using torque wrench.

Torque value: **10 Nm**



ATTENTION!

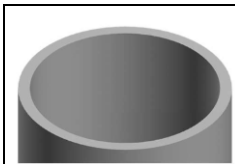
Secure screw thread with medium strength adhesive.

These knee joints are used with aluminum tube. Aluminum tube must be cut to length according to the patient's data sheet. For shortening, neither the knee joint nor the aluminum tube must be put into a clamping device such as a vice. To shorten the tube, a proper "tube cutting" tool must be used. Aluminum Tube must not be cut too short.

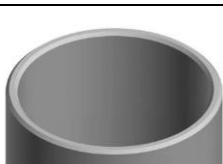


CAUTION!

In order to provide safe construction, the cutting edge of the aluminum tube must be carefully deburred inside and outside after cutting.



Incorrect Tube Cutting



Correct Tube Cutting with Chamfers

4 Environmental Conditions


Acceptable Environmental Conditions
Temperature use range: -10 °C to +45°C
Humidity: Allowable relative humidity 20% to 90%, non-condensing

Unsuitable Environmental Conditions
Fresh water, salt water, sweat, urine, acids e.g.
Sand, dust, highly hygroscopic particles (e.g., talcum)
Mechanical vibrations, impacts
Cleaning agents containing solvents

5 Service Life

The service life of the product is about 3 years. This duration depends on the daily activity of the user.

6 General Safety Instructions

 CAUTION! To avoid the risk of injury and product damage, do not use for longer than the service life of the product.
The suitability of the device to the patient and the prosthesis should be evaluated by a healthcare professional. The device must be fitted and adjusted by a healthcare professional.
There is a danger of pinching and injuring your finger or skin. Do not insert your hand into the joint mechanism!

Avoid using this product in unsuitable environmental conditions. If the product has been exposed to unsuitable environmental conditions, check for damage.

Do not use the product that is damaged, has limited functionality or is in doubtful condition. Ensuring that appropriate measures are taken (e.g. control, cleaning, repair, replacement by the authorized workshop or manufacturer).

To prevent mechanical damage, be careful and caution when working the product.

Use the product for a single patient to avoid injuries and product damage.

Products should be used in appropriate combinations. Using the product with unsuitable combinations may result in possible injury.

In case of feeling any space or sound, apply the rehabilitation center who installed the foot.

7 Maintenance

1. After the first 30 days of use, the prosthesis parts should be visually inspected and function checked.
2. Inspect the entire prosthesis for wear during normal consultations.
3. This prosthesis and components should be checked for its functions at least once a year with regular intervals by a prosthesis specialist. There is no risk if suggestions are followed by properly.

8 Warranty

IB-ER company provides the warranty for the products in case of material and production flaws. Warranty duration for the above-mentioned products are individually mentioned at below.

Product	Duration After The IB-ER Invoice Date
E 80	12 Months
E 81	

This warranty covers on only replacement and repair of failed products after assemblies performed by qualified individuals and competent institutions. This warranty is not applicable in case of following points:

- Improper use of the product, using with unsuitable conditions and fault assembly.
- Issues arising from replacement of our products with other products.



İB-ER Makina A.Ş
Selvilitepe OSB Mah. OSB 2006. Cad. No: 13/1
45400, Turgutlu - Manisa / Turkey

Phone : +90 (236) 312 32 00

Fax : +90 (236) 312 32 06

info@ib-er.com

www.ib-er.com



Ercan Gozuacik
Reinickendorfer Str 45 13347 Berlin GERMANY
(for regulatory affairs only)