

INSTRUCTIONS FOR USE

IFU CODE: 23

IB-ER
PROSTHETIC



Components for Children

**E 60-Children, E 01AI-C, E 05AI-C, E 07AI-C,
E 12AI-C, E 02AI-C, E 20-C, E 08AI-C**

CE

Fig 1. E 01AI-C

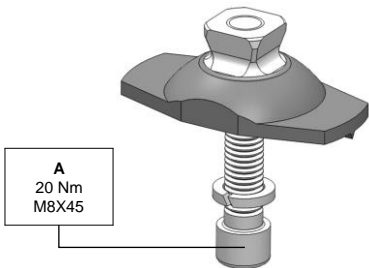


Fig 2. E 05AI-C

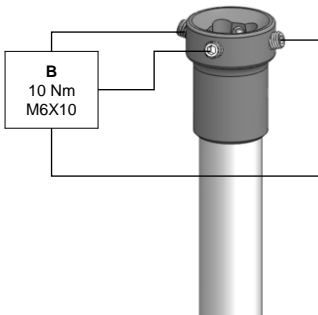


Fig 3. E 07AI-C

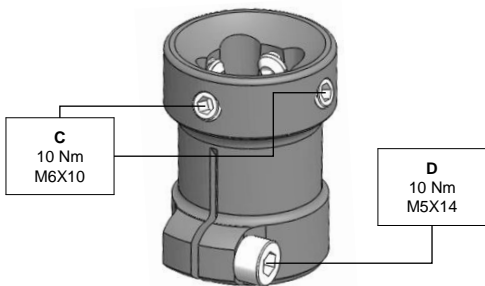


Fig 4. E 02AI-C

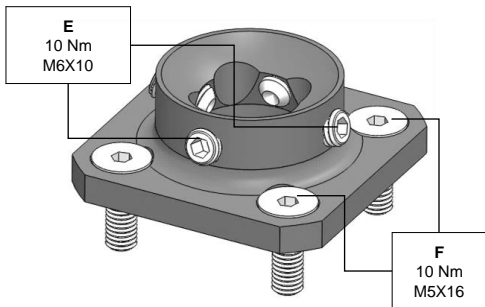


Fig 5. E 20-C

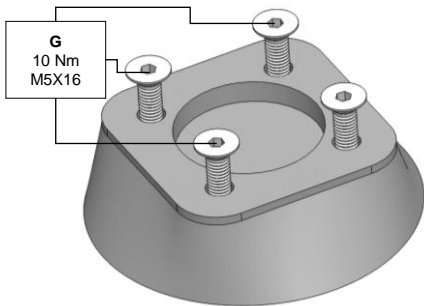
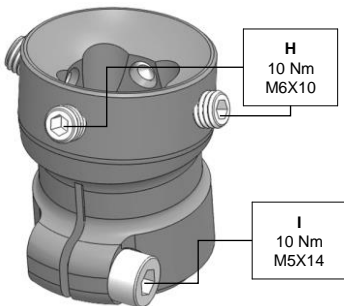


Fig 6. E 08AI-C



INFORMATION

Last Update: 01-02-2023



- Please read this document carefully before using the product.
- Instruct the user in the appropriate and safe use of the product.
- Follow the safety instructions to abstain injuries and damage to the product.
- Please keep this document in a safe place.

Contents

1 Children Sach Foot.....	1
2 Sach Foot Adapter for Children.....	1
3 Tube Adapter for Children.....	2
4 Tube Clamp Adapter for Children.....	4
5 Socket Adapter for Children.....	5
6 Socket Adapter with Adjustment Screws for Children....	5
7 Socket Attachment Block for Children.....	5
8 Angled Tube Clamp Adapter for Children.....	6
9 Assembly.....	6
10 Weight Limit of Products.....	6
11 Environmental Conditions.....	7
12 Service Life.....	7
13 General Safety Instructions.....	7
14 Maintenance.....	8
15 Warranty.....	9

1 Children Sach Foot

E 60-Children

Small size Sach Foot products with fingers.

With separate toe.



Code	Size	Load Weight	Heel Height
E 60-14L/R	14	60 kg	10 mm
E 60-15L/R	15		
E 60-16L/R	16		
E 60-17L/R	17		
E 60-18L/R	18		
E 60-19L/R	19		
E 60-20L/R	20		
E 60-21L/R	21		

2 Sach Foot Adapter for Children

Code	Material	Weight
E 01Al-C	Aluminium	50 gr



2.1 Installing the E 01AI-C (Foot Adapter for Children)

1. For prosthetic feet with wooden parts, the connection surfaces should be sanded and the grinding dust should be cleaned.
2. The foot adapter needs to be adhered to the prosthetic foot. For this, adhesive and hardener must be thoroughly mixed with each other and applied to the connection surfaces.
3. In case of contamination, the metal bonding surfaces of the foot adapter should be cleaned with a degreasing agent.
4. The foot adapter should be positioned on the prosthetic foot. The screw must be screwed together with the washer from below and tightened. (Installation torque: 2 to 4 Nm)
5. After 3 to 4 hours, the screw connection should be tightened with the required tightening torque (See fig. 1). (Tightening torque: 20 Nm)
6. Wait up to 16 hours at 20°C for adhesive to harden. This wait time needs to be extended at lower temperatures.

3 Tube Adapter for Children

Code	Material	Weight
E 05AI-C	Aluminium	125 gr



3.1 Adjustment of Tube Adapter

1. Tube can be shortened to required length.
2. The burrs on the inside and outside of the cut edges should be removed with the pipe deburring tool.

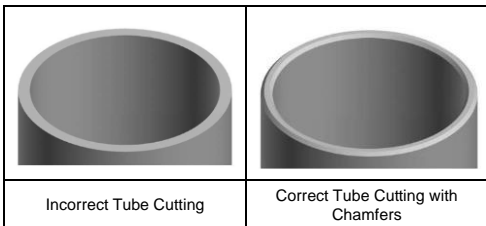
3.2 Assembly of Tube Adapter

The tube adapter with aluminum tube must be cut to length according to the patient's data sheet. For shortening, neither the tube adapter nor the aluminum tube must be put into a clamping device such as a vice. To shorten the tube, a proper "tube cutting" tool must be used. Aluminum Tube must not be cut too short.

CAUTION!



In order to provide safe construction, the cutting edge of the aluminum tube must be carefully deburred inside and outside after cutting.



The tube adapter must always be mounted with the pyramid support with adjustment screws at the distal (lower) end.

Place the tube adapter on the pyramid section of the distal product while tightening the four set-screws. In order to change its angle, loosen one of the screws and tighten the corresponding screws. After completing the adjustment, tighten all four screws with torque wrench.

Torque: 10 Nm (See fig. 2)



TIP!

Don't clamp the tube in order to cut it at desired length, prefer to use cutting edge. Make sure that cut surface is flat and not cut slanting. Clean the burrs on edges after cutting the tube. Avoid any line formation that causes it to be broken.

Part may be replaced by removing only two screws when it is desired to be removed or replaced. After completion of process, tighten both screws as specified above.

4 Tube Clamp Adapter for Children

Code	Material	Weight
E 07Al-C	Aluminium	65 gr



5 Socket Adapter for Children

Code	Material	Weight
E 12Al-C	Aluminium	35 gr



6 Socket Adapter with Adjustment Screws for Children

Code	Material	Weight
E 02Al-C	Aluminium	40 gr



7 Socket Attachment Block for Children

Code	Material	Weight
E 20-C	Aluminium	85 gr



8 Angled Tube Clamp Adapter for Children

Code	Material	Weight
E 08AI-C	Aluminium	55 gr



9 Assembly

The bolts shown in the figures (See fig. 1, 2, 3, 4, 5, 6) must be fixed with a medium strength adhesive.

CAUTION!



Incorrect installation of bolt connections or loosening of bolt connections can cause injury.

To avoid injury:

- Clean the bolt threads before each assembly.
- Apply the recommended tightening torques.
(See fig. 1, 2, 3, 4, 5, 6)

10 Weight Limit of Products

Weight Limit	Product Code	
45 kg	E 60-Children	E 12AI-C
	E 01AI-C	E 02AI-C
	E 05AI-C	E 20-C
	E 07AI-C	E 08AI-C

11 Environmental Conditions

Acceptable Environmental Conditions

Temperature use range: -10 °C to +45°C

Humidity: Allowable relative humidity 20% to 90%, non-condensing

Unsuitable Environmental Conditions

Fresh water, salt water, sweat, urine, acids e.g.

Sand, dust, highly hygroscopic particles (e.g., talcum)

Mechanical vibrations, impacts

12 Service Life

The service life of the product is about 3 years. This duration depends on the daily activity of the user.

13 General Safety Instructions



CAUTION!

To avoid the risk of injury and product damage, do not use for longer than the service life of the product.

The suitability of the device to the patient and the prosthesis should be evaluated by a healthcare professional.

The device must be fitted and adjusted by a healthcare professional.

Avoid using this product in unsuitable environmental conditions. If the product has been exposed to unsuitable environmental conditions, check for damage.

Do not use the product that is damaged, has limited functionality or is in doubtful condition. Ensuring that appropriate measures are taken (e.g. control, cleaning, repair, replacement by the authorized workshop or manufacturer).

To prevent mechanical damage, be careful and caution when working the product.

Use the product for a single patient to avoid injuries and product damage.

Products should be used in appropriate combinations. Using the product with unsuitable combinations may result in possible injury.

In case of feeling any space or sound, apply the rehabilitation center who installed the foot.

14 Maintenance

1. After the first 30 days of use, the prosthesis parts should be visually inspected and function checked.
2. Inspect the entire prosthesis for wear during normal consultations.
3. This prosthesis and components should be checked for its functions at least once a year with regular intervals by a prosthesis specialist. There is no risk if suggestions are followed by properly.

15 Warranty

IB-ER company provides the warranty for the products in case of material and production flaws. Warranty duration for the above-mentioned products are individually mentioned at below.

Product		Duration After The IB-ER Invoice Date
E 60-Children	E 12AI-C	24 Months
E 01AI-C	E 02AI-C	
E 05AI-C	E 20-C	
E 07AI-C	E 08AI-C	

This warranty covers on only replacement and repair of failed products after assemblies performed by qualified individuals and competent institutions. This warranty is not applicable in case of following points:

- Improper use of the product, using with unsuitable conditions and fault assembly.
- Issues arising from replacement of our products with other products.



İB-ER Makina A.Ş
Selvilitepe OSB Mah. OSB 2006. Cad. No: 13/1
45400, Turgutlu - Manisa / Turkey

Phone : +90 (236) 312 32 00

Fax : +90 (236) 312 32 06

info@ib-er.com

www.ib-er.com



Ercan Gozuacik
Reinickendorfer Str 45 13347 Berlin GERMANY
(for regulatory affairs only)